

Tbend-250

High Performance Microwave Coax Cable

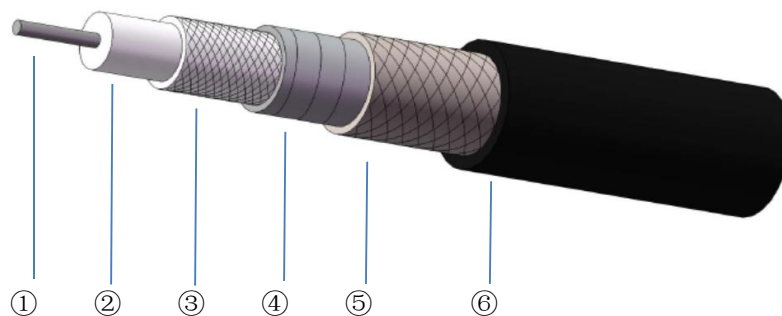
Product Description

Superlink Tbend series is an anti-bending&stretch low loss cable. It is equipped with steel braided shield and hard to be bended or stretched. The cable loss is low and electric performance is stable regardless of environment factors. Frequency up to 40 GHz. It is used in test instruments, aerospace and defend systems.

Feature & Benefit

- 70%Vp solid PTFE+multi-layer shielding
- Excellent bending stability

Product Structure



	①Center Conductor	②Dielectric	③Outer Conductor	④Inner Layer	⑤Outer shield	⑥Jacket
Material	SPC	Solid PTFE	SPC	AL-foil	SPC	FEP
Size (mm)	0.51±0.02	1.65±0.07	1.82±0.09	1.90±0.10	2.12±0.12	2.50±0.15

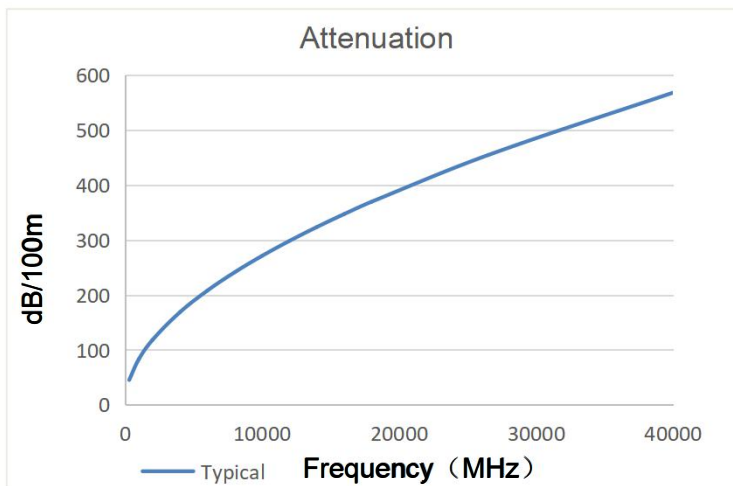
Specifications

Impedance	50Ω
Operation Frequency	40GHz
Velocity of Propagation	70%
Shielding Effectiveness	90dB
Voltage Withstand	1000V,DC
Time Delay	4.76ns/m
Phase Stability(Bending)	±8° 40GHz
Amplitude Stability	±0.15dB 40GHz
Bend Radius:repeated	25mm
Bend Radius:installation	10mm
Weight	18g/m
Temp, Operating&Installation	-55~125°C
Temp,Storage	-65~125°C

The rights of technical information provided on the sheet belongs to Superlink.Contents cannot be provided to other third-companies without permission.

Shenzhen Superlink Technology Co.,Ltd
 Website: www.slkcorp.com
 Tel: +86 755-89814648

Attenuation (Typical@25°C VSWR=1.0)



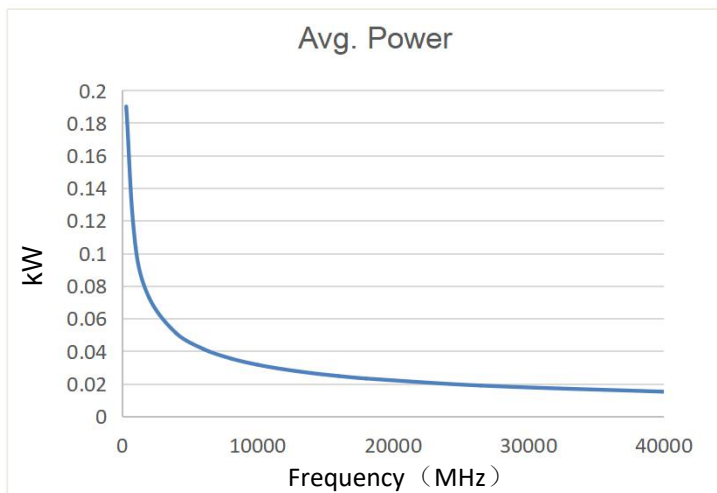
Frequency(MHz)	Attenuation (dB/100m)
300	45.1
1000	82.9
2000	118.0
4000	168.4
6000	207.7
8000	241.2
10000	271.1
12000	298.3
14000	323.6
16000	347.2
18000	369.7
26500	454.6
40000	568.2

$$K1= 2.580809$$

$$K2= 0.001300$$

$$\text{Attenuation}=K1* \sqrt{F}+K2*F$$

Power (40°C VSWR=1.0 Sea Level)



Frequency(MHz)	Avg.Power (kW)
300	0.190
1000	0.103
2000	0.073
4000	0.051
6000	0.041
8000	0.036
10000	0.032
12000	0.029
14000	0.026
16000	0.025
18000	0.023
26500	0.019
40000	0.015

Ver A-1