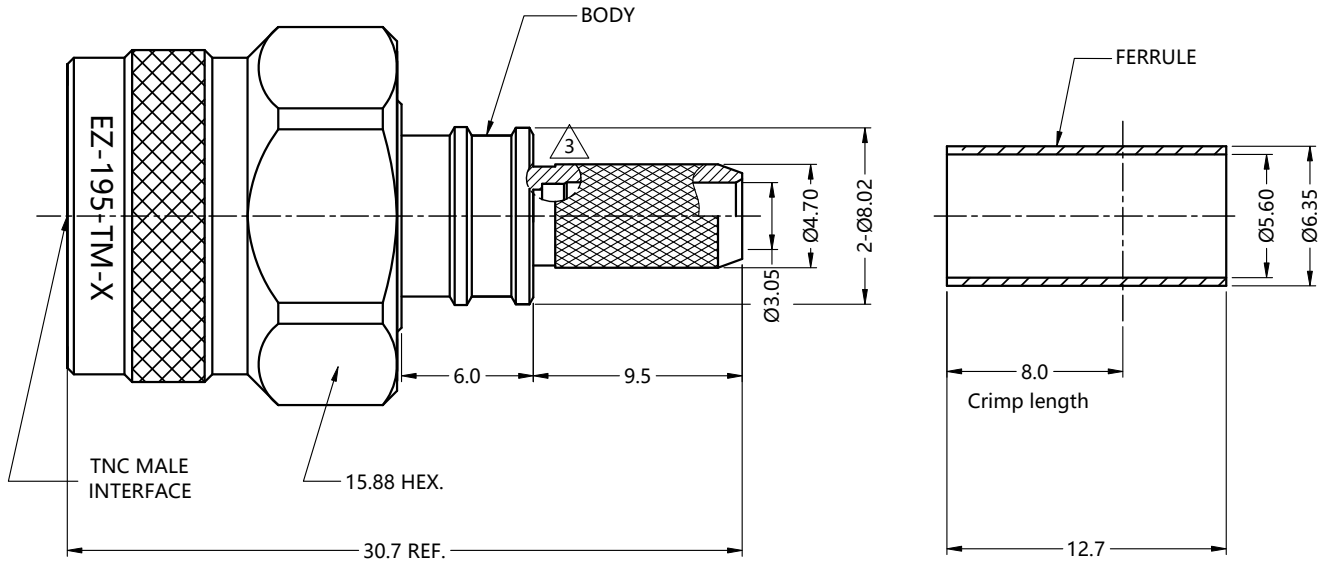
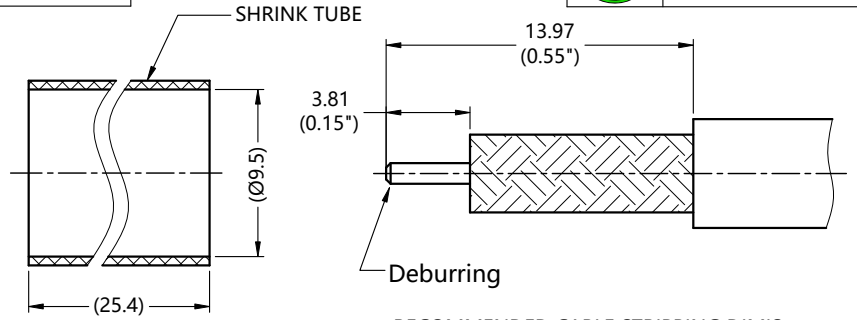


REV	DESCRIPTION	ECN NO	NAME	DATE		
2	update the slkdrawing no	N/A	WYJ	2018-05-16		
3	Adds local cutaway view	N/A	Liu	2021-05-18		



ALL PARTS MUST MEET TO RoHS REQUIREMENTS

REMARKS:
 1. ADDS SIZE: 17.8MM
 2. CONTACT PIN TO CAPTIVE
 3. CRIMPED FERRULE HEX. CRIMP SIZE .213"



MATERIALS AND PLATING		UNIT: MICRO-INCHES	ELECTRICAL CHARACTERISTICS	
BODY/SHELL	BRASS C3604	ALBALOY 80 u"/COPPER	IMPEDANCE	50 Ω
CONTACT PIN	BERYLLIUM COPPER	GOLD 50 u"/NICKEL/COPPER	VOLTAGE RATING	335 V(rms)
INSULATOR	PTFE ASTM-D-1710	N/A	FREQUENCY RANGE	0~8 GHz
FERRULE	BRASS	ALBALOY 80 u"/COPPER	DIELECTRIC WITHSTANDING VOLTAGE	>1000 V

CONTACT RESISTANCE	CENTER CONTACT	<1.5 mΩ
	OUTER CONTACT	<0.2 mΩ
INSULATION RESISTANCE	>5000 MΩ	
INSERTION LOSS	<0.1√F dB	
VSWR	<1.30 @ 0~6 GHz	
	<1.35 @ 6~8 GHz	

MECHANICAL CHARACTERISTICS	
FORCE TO ENGAGE AND DISENGAGE	N/A
CENTER CONTACT RETENTION FORCE	>6 lbs
RECOMMENDED COUPLING TORQUE	8~12 in-lbs
COUPLING NUT RETENTION FORCE	>100 lbs
DURABILITY	>500 cycles

ENVIRONMENTAL CHARACTERISTICS	
TEMPERATURE RANGE	-40 °C~+125 °C
THERMAL SHOCK	MIL- STD 202, Meth. 107,Cond. B
VIBRATION	MIL- STD 202, Meth. 204,Cond. B
SHOCK	MIL- STD 202, Meth. 213,Cond. I
CLIMATIC CLASS	IEC 60068 65/165/21

*** CUSTOMER OUTLINE DRAWING**

UNLESS OTHERWISE SPECIFIED:
 1) C0.15 MAX;
 2) REMOVE ALL BURRS;
 3) SURFACE ROUGHNESS : Ra1.6;
 4) UNITS:mm;
 5) DIMENSIONS TOLERANCES
 DECIMALS .x ±0.3 .xx ±0.2 .xxx±0.1
 ANGLES ±5°

THIRD ANGLE PROJECTION	
APPROVED:	CUSTOMER P/N:
CHECKED:	SCALE:
DRAWING:	DATE: 2021-05-18
COMPANY WEBSITE: www.slkcorp.com	

TITLE: TNC MALE S/T CRIMP FOR LMR-195 CABLE,50Ω
 DRAWING NO: 5TCM11S-A45-008

CUSTOMER OUTLINE DRAWING