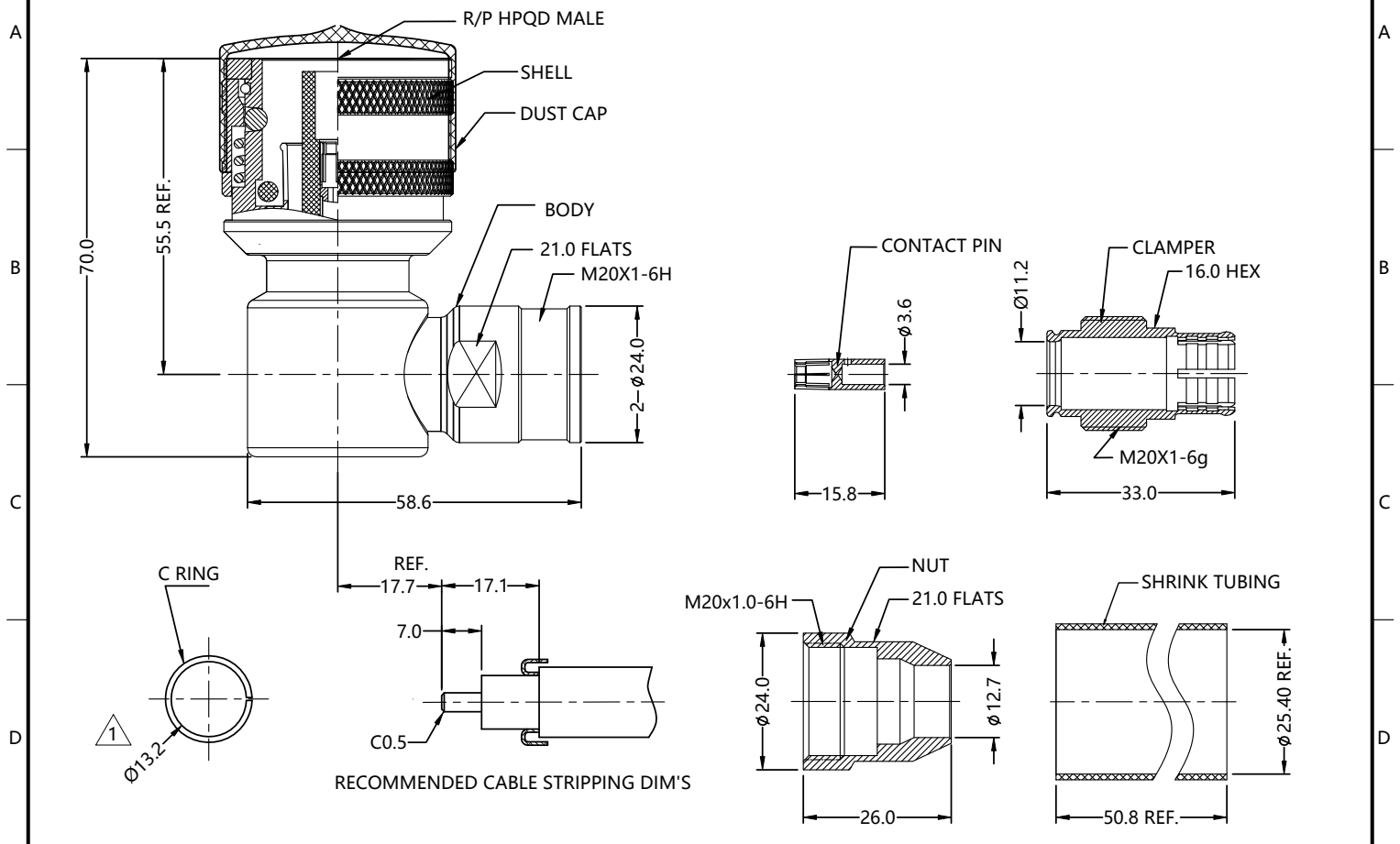


REV	DESCRIPTION	ECN NO	NAME	DATE
0	FIRST EDITION	N/A	Liu	2021-03-05
1	Modify the c ring	N/A	Liu	2021-03-10
2	Update the drawing	N/A	Liu	2021-05-24



ALL PARTS MUST MEET TO RoHS REQUIREMENTS



MATERIALS AND PLATING		UNIT: MICRO-INCHES
BODY/SHELL	BRASS C3604	ALBALOY 100 u"/COPPER
CONTACT PIN	BRASS/BERYLLIUM COPPER	SILVER 100 u"/COPPER
INSULATOR	PTFE ASTM-D-1710	N/A
OUTER CONTACT	BERYLLIUM COPPER	ALBALOY 100 u"/COPPER
CLAMPER	TIN-PHOSPHOR BRONZE QSn4-3	ALBALOY 100 u"/COPPER
BARREL	BRASS C3604	ALBALOY 100 u"/COPPER
GASKET	SILICONE	RED
C RING	STAINLESS STEEL	PASSIVATION

ELECTRICAL CHARACTERISTICS		
IMPEDANCE	50 Ω	
VOLTAGE RATING	N/A	
FREQUENCY RANGE	0~2.5 GHz	
DIELECTRIC WITHSTANDING VOLTAGE	>5000 V	
CONTACT RESISTANCE	CENTER CONTACT	N/A
	OUTER CONTACT	N/A
INSULATION RESISTANCE	>10000 MΩ	
INSERTION LOSS	<0.1√F(GHZ) dB	
VSWR	<1.3 @ 0~1GHz ²	
3RD INTERMODULATION	N/A	

MECHANICAL CHARACTERISTICS		
FORCE TO ENGAGE AND DISENGAGE		N/A
CABLE RETENTION FORCE		> 150 lbs ²
CABLE-CONNECTOR ANTI-TORQUE	> 30 in-lbs(With heat shrink tubing)	
COUPLING NUT RETENTION FORCE		N/A
DURABILITY		>500 cycles

ENVIRONMENTAL CHARACTERISTICS	
TEMPERATURE RANGE	-40 °C~ +125 °C

*** CUSTOMER OUTLINE DRAWING**

UNLESS OTHERWISE SPECIFIED:
 1) C0.15 MAX;
 2) REMOVE ALL BURRS;
 3) SURFACE ROUGHNESS : Ra1.6;
 4) UNITS:mm;
 5) DIMENSIONS TOLERANCES
 DECIMALS .x ±0.3 .xx ±0.2 .xxx±0.1
 ANGLES ±5°

THIRD ANGLE PROJECTION	
APPROVED:	CUSTOMER P/N:
CHECKED:	SCALE:
DRAWING:	DATE: 2021-05-24
COMPANY WEBSITE: www.slkcorp.com	

TITLE: R/P HPQD MALE R/A CLAMP FOR SFT-226 CABLE,50Ω
 DRAWING NO: 5REZM14R-A624

CUSTOMER OUTLINE DRAWING