
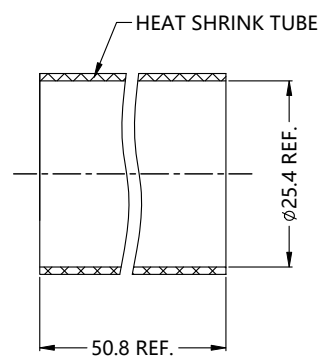
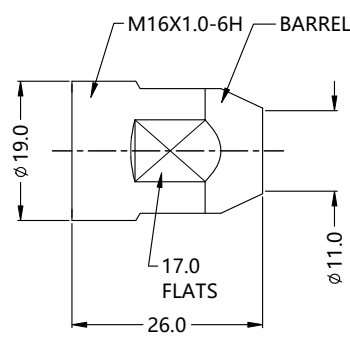
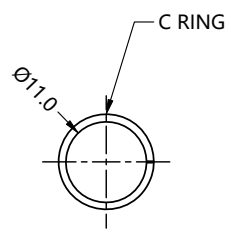
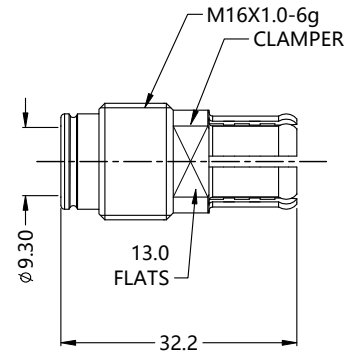
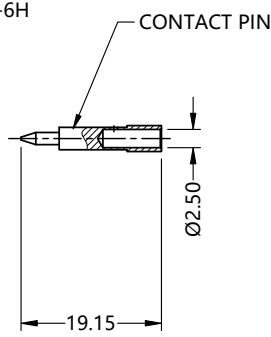
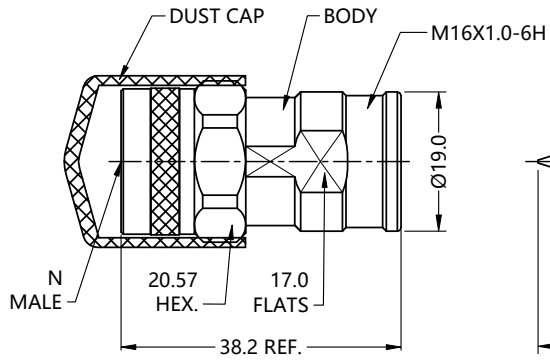
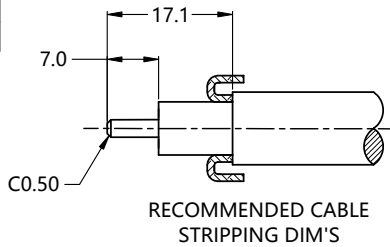


1	2	3	4	5	6
REV 0	DESCRIPTION FIRST EDITION	ECN NO N/A	NAME Liu	DATE 2021-07-30	 ALL PARTS MUST MEET TO RoHS REQUIREMENTS

REMARKS:
1.ADDS SIZE:13.3mm
2.CONTACT PIN TO SOLDER

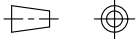


MATERIALS AND PLATING			UNIT: MICRO-INCHES	ELECTRICAL CHARACTERISTICS	
BODY/SHELL	BRASS C3604	ALBALOY 100 u" /COPPER		IMPEDANCE	50 Ω
CONTACT PIN	BRASS C3604	GOLD 15 u" /COPPER		VOLTAGE RATING	835 V(rms)
INSULATOR	PTFE ASTM-D-1710	N/A		FREQUENCY RANGE	0~3 GHz
CLAMPER	QSn 4-3	ALBALOY 100 u" /COPPER		DIELECTRIC WITHSTANDING VOLTAGE	>2500 V
BARREL	BRASS C3604	ALBALOY 100 u" /COPPER		CONTACT RESISTANCE	CENTER CONTACT <1.0 mΩ
C RING	STAINLESS STEEL	PASSIVATION			OUTER CONTACT <0.2 mΩ
				INSULATION RESISTANCE	>5000 MΩ
				INSERTION LOSS	<0.05√F dB
				VSWR	<1.30
				3RD INTERMODULATION	N/A
MECHANICAL CHARACTERISTICS			ENVIRONMENTAL CHARACTERISTICS		
FORCE TO ENGAGE AND DISENGAGE		N/A	TEMPERATURE RANGE		-40 °C~+125 °C
CENTER CONTACT RETENTION FORCE		N/A	THERMAL SHOCK		MIL- STD 202, Meth. 107,Cond. B
RECOMMENDED COUPLING TORQUE		9~14 in-lbs	VIBRATION		MIL- STD 202, Meth. 204,Cond. B
COUPLING NUT RETENTION FORCE		> 100 lbs	SHOCK		MIL- STD 202, Meth. 213,Cond. I
DURABILITY		>500 cycles			

CUSTOMER OUTLINE DRAWING

*** CUSTOMER OUTLINE DRAWING**

UNLESS OTHERWISE SPECIFIED:
 1) C0.15 MAX;
 2) REMOVE ALL BURRS;
 3) SURFACE ROUGHNESS : Ra1.6;
 4) UNITS:mm;
 5) DIMENSIONS TOLERANCES
 DECIMALS .x ±0.3 .xx ±0.2 .xxx±0.1
 ANGLES ±5°

THIRD ANGLE PROJECTION		
APPROVED:	CUSTOMER P/N:	
CHECKED:	SCALE:	
DRAWING:	DATE: 2021-07-30	
COMPANY WEBSITE: www.slkcorp.com		



TITLE: TYPE N MALE S/T CLAMP FOR RG-393 CABLE,50Ω

DRAWING NO: 5NCM14S-A253-001