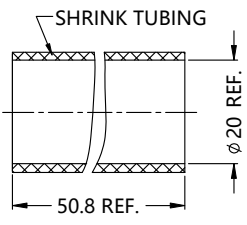
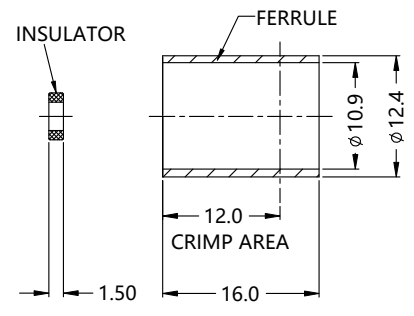
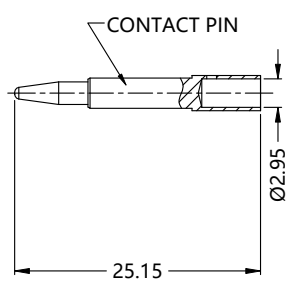
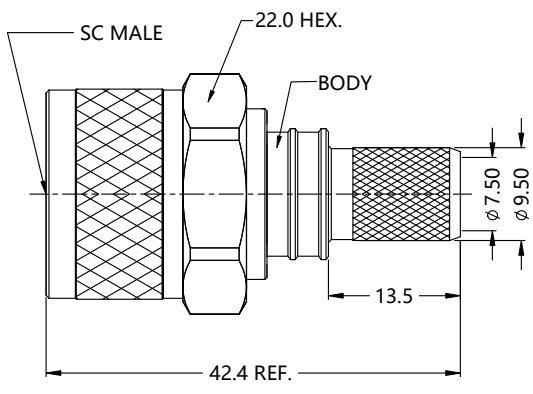
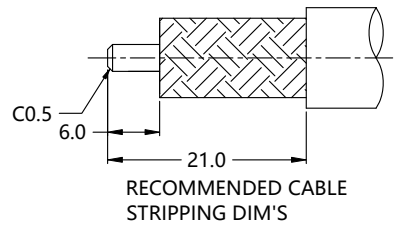


REV.	DESCRIPTION	ECN NO.	NAME	DATE
A0	CHANGE THE STRUCTURE	N/A	LIHEMIN	2017-06-14
A1	UPDATE DRAWING	N/A	QGZ	2020-07-13
A2	UPDATE DRAWING	N/A	Liu	2021-07-20



ALL PARTS MUST MEET TO RoHS REQUIREMENTS

REMARKS:  
 1. CONTACT PIN TO SOLDER  
 2. CRIMPED FERRULE HEX. CRIMP SIZE .429"  
 3. ADDS SIZE: 22.4mm



MATERIALS AND PLATING		UNIT: MICRO-INCHES
PART NAME	MATERIALS	PLATING
BODY/SHELL	BRASS C3604	ALBALOY 80 u"/COPPER
INSULATOR	PTFE ASTM-D-1710	N/A
CONTACT PIN	BRASS C3604	GOLD 50 u"MIN./NICKEL/COPPER
GASKET	SILICONE	RED
FERRULE	COPPER	ALBALOY 80 u"/COPPER

ELECTRICAL CHARACTERISTICS	
IMPEDANCE	50 Ω
VOLTAGE RATING	500 V(rms)
FREQUENCY RANGE	0~6 GHz
DIELECTRIC WITHSTANDING VOLTAGE	>1500 V
CONTACT RESISTANCE	CENTER CONTACT <1.0 mΩ
	OUTER CONTACT <0.2 mΩ
INSULATION RESISTANCE	>5000 MΩ
INSERTION LOSS	<0.1√F dB
VSWR	<1.30
3RD INTERMODULATION	N/A

MECHANICAL CHARACTERISTICS	
FORCE TO ENGAGE AND DISENGAGE	N/A
CENTER CONTACT RETENTION FORCE	N/A
RECOMMENDED COUPLING TORQUE	9-14 in-lbs
COUPLING NUT RETENTION FORCE	>100 lbs
DURABILITY	>500cycles

ENVIRONMENTAL PARAMETER	
TEMPERATURE RANGE	-40 °C~+125 °C
THERMAL SHOCK	MIL- STD 202, Meth. 107,Cond. B
VIBRATION	MIL- STD 202, Meth. 204,Cond. B
SHOCK	MIL- STD 202, Meth. 213,Cond. I

\* CUSTOMER OUTLINE DRAWING

UNLESS OTHERWISE SPECIFIED:  
 1) EDGES : C0.15 MAX ;  
 2) REMOVE ALL BURRS ;  
 3) SURFACE ROUGHNESS : Ra1.6 ;  
 4) UNITS : mm ;  
 5) DIMENSIONS TOLERANCES  
 DECIMALS : .x ±0.3 .xx ±0.2 .xxx±0.1;  
 ANGLES : ± 5°.

THIRD ANGLE PROJECTION	
APPROVED :	CUSTOMER P/N :
CHECKED :	SCALE : 1 : 1
DRAWING :	DATE : 2021-07-20
PAGE : 1/1	

TITLE : SC MALE CRIMP S/T FOR LMR-400 CABLE, 50Ω  
 DRAWING NO. : 5CEM11S-A11  
 COMPANY WEBSITE : www.slkcorp.com

CUSTOMER OUTLINE DRAWING